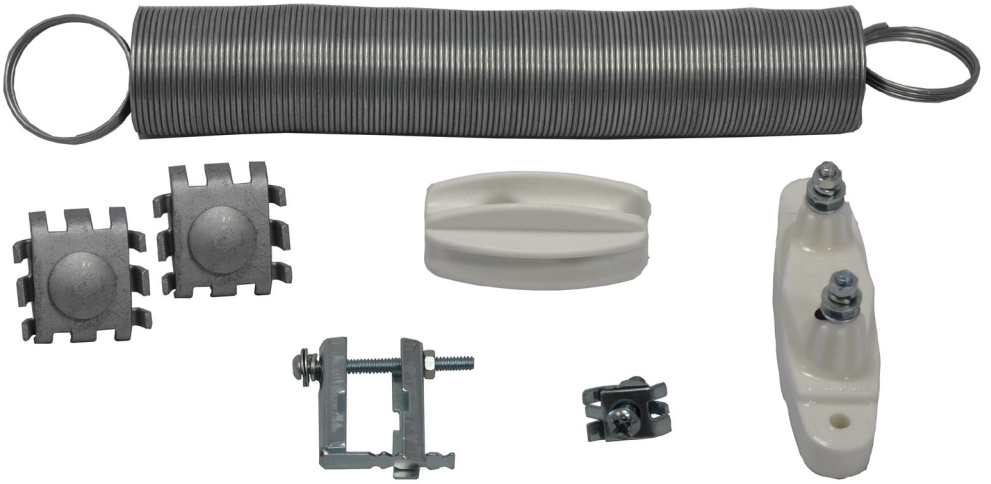


RAPPA™



HANDBOOK LIGHTNING DIVERTER



CONTENTS



CHOKE



INSULATOR



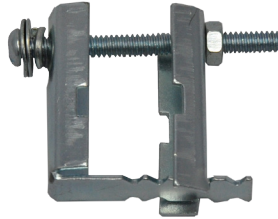
LIGHTNING ARRESTOR



LINE CLAMP



SMALL
LINE CLAMP



GROUND CLAMP

HOW THE KIT WORKS

When lightning strikes an electric fence, it sends a huge voltage back to the energiser on its way to the earthing system. The only fail-safe way to avoid damage to the energiser is to disconnect it from the fence line and mains power supply before an electrical storm.

A more practical option is to install a lightning protection kit. This has a choke that blocks the high voltage surge and diverts it to an independent earth system via the lightning arrester.

INSTALLATION

For best protection install the lightning protection kit close to the energiser, either on the lead-out wire or on the first section of fence line. Cut the fence wire and install the insulator.

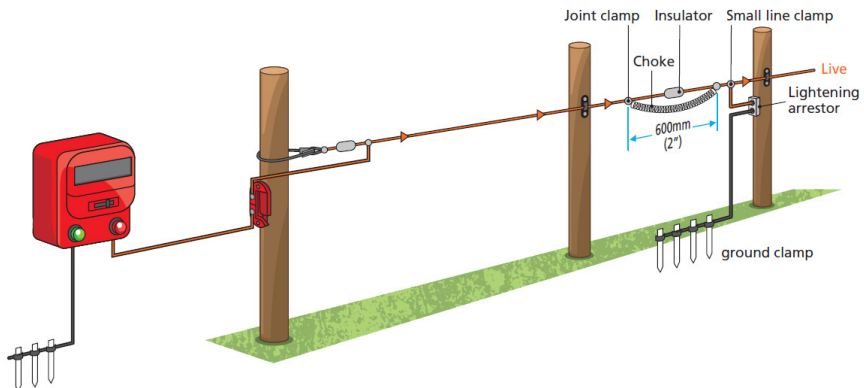
Attach the choke to the wire using the two joint clamps. The two joint clamps should be 600 mm (2') apart with the insulator midway between them.

Install the lightning arrester on a fence post, making sure that it is on the fence side of the choke. Do not install the lightning arrester at any point between the energiser and the choke or the energiser will not be protected.

Install a lightning protection earth system. There should be more earth rods in the lightning protection earth system than the energiser earth system. Ensure the lightning protection earth system is at least 20m (65') away from the energiser earth system.

Using 2.5 mm insulated cable, attach the lightning arrester to the nearest joint clamp and to the lightning protection earth system.

CAUTION! If the fence is struck by lightning, the lightning arrester should be checked and replaced if necessary. If the lightning arrester is damaged, the fence will not be protected.





Rappa Fencing Ltd
Steepleton Hill | Stockbridge | Hampshire | SO20 6JE
01264 810665 | sales@rappa.co.uk | www.rappa.co.uk